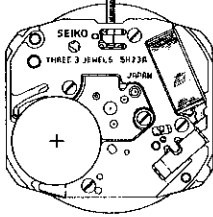
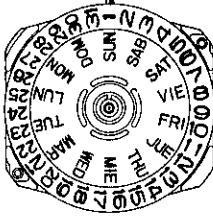


PARTS CATALOGUE/ TECHNICAL GUIDE

Cal. 5H22A

Cal. 5H23A

[SPECIFICATIONS]

Cal. No.		5H22A	5H23A
Item			
Movement			
		*The illustrations refer to Cal. 5H23A.	
Movement size	Outside diameter	ϕ 25.4 mm 19.0 mm between 3 o'clock and 9 o'clock sides 22.0 mm between 6 o'clock and 12 o'clock sides	
	Casing diameter	ϕ 23.3 mm 19.0 mm between 3 o'clock and 9 o'clock sides 21.0 mm between 6 o'clock and 12 o'clock sides	
	Height	2.8 mm	
Time indication		3 hands	
Driving system		Step motor (Load compensated driving pulse type)	
Additional mechanism		Date calendar	Day and date calendar
		Instant calendar setting device	
		Train wheel setting device	
		Electronic circuit reset switch	
		Battery life indicator	
Loss/gain		Monthly rate at normal temperature range: less than 15 seconds	
Regulation system		Nil	
Measuring gate by quartz tester		Use the 10-second gate.	
Battery		SEIKO SR920SW, Maxell SR920SW, SONY EVEREADY 371 Battery life is approximately 5 years. Voltage: 1.55V	
Jewels		3 jewels	

PARTS CATALOGUE

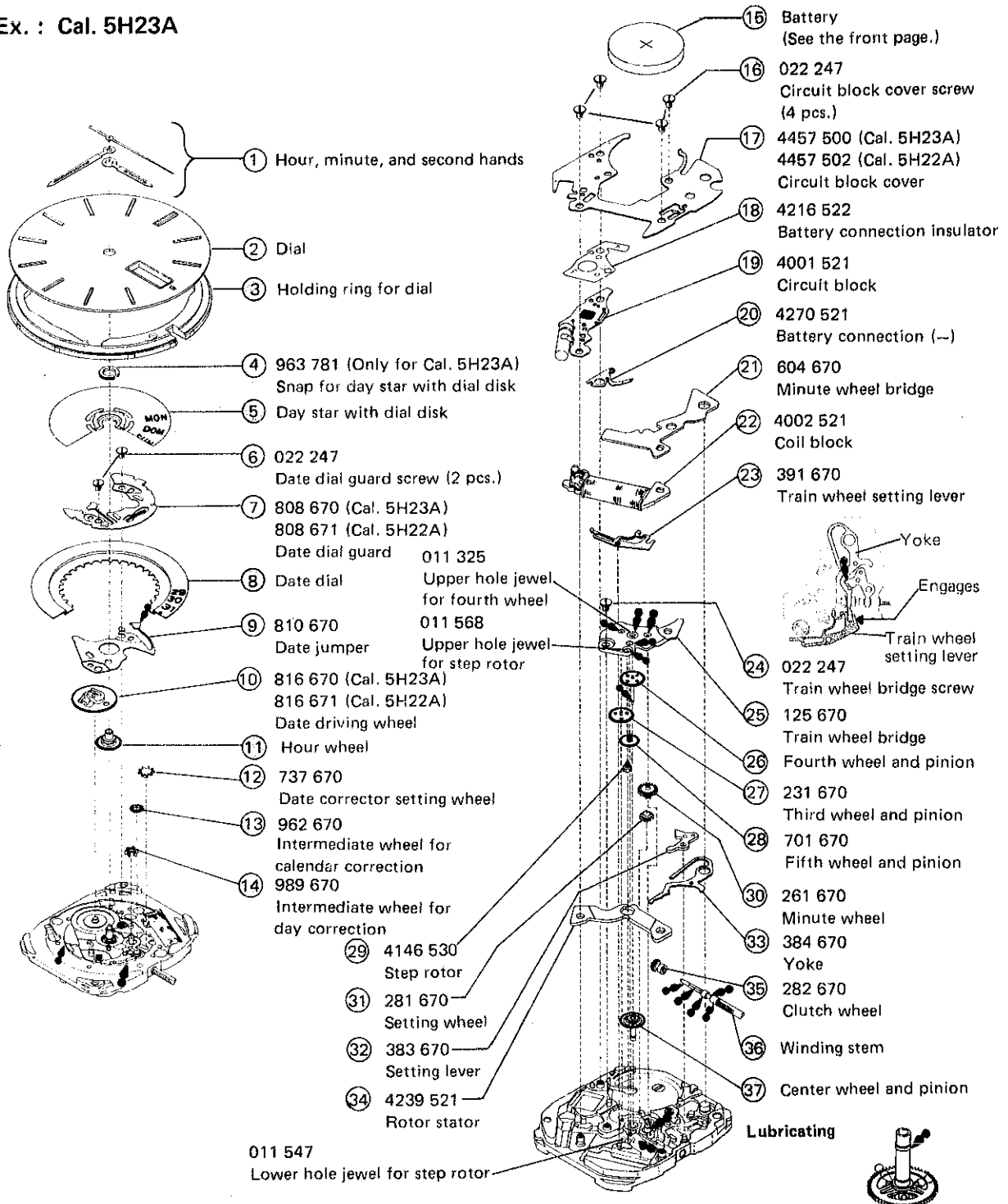
Cal. 5H22A, 5H23A

Disassembling procedures Figs. : ① → ③⑦
 Reassembling procedures Figs. : ③⑦ → ①

Lubricating: Types of oil

● Moebius A ○ Normal quantity
 ○ SEIKO Watch Oil S-6

Ex. : Cal. 5H23A



⊙ ⇨ Please see the remarks on the following pages.

PARTS CATALOGUE

Cal. 5H22A, 5H23A

Remarks:

③ Holding ring for dial 865 556

③⑥ Winding stem 351 105, 351 670

The types of these parts depend on the design of each model.

Refer to "SEIKO Casing Parts Catalogue" to choose corresponding parts.

⑤ Day star with dial disk (Only for Cal. 5H23A)

Part code	Position of crown & calendar	Language	Color of figure	Color of background
470 819	3 o'clock	English ↔ Spanish	Black	White
470 824	3 o'clock	English ↔ Japanese	Black	White

If any other type of day star with dial disk is required, please specify the number inscribed on the disk.

⑧ Date dial

Part code	Position of crown & calendar	Color of figure	Color of background
801 722	3 o'clock	Black	White
801 723	3 o'clock	White	Black

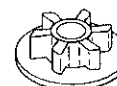
If any other type of date dial is required, please specify ① Cal. No., ② the crown position, ③ the calendar frame position, and ④ Dial No.

⑭ Intermediate wheel for day correction 989 670 (Only for Cal. 5H23A)

The intermediate wheel for day correction is available in two types: one with a mount and the other without a mount. They can be used interchangeably.

[with mount]

[without mount]

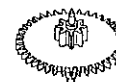
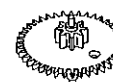


⑳ Fifth wheel and pinion 701 670

The fifth wheel and pinion is available in two types: one with a hole and the other without a hole. They can be used interchangeably.

[with hole]

[without hole]


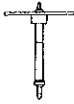
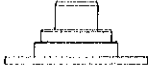

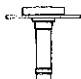

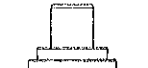



PARTS CATALOGUE

Cal. 5H22A, 5H23A

- ①① Hour wheel
- ②⑥ Fourth wheel and pinion
- ③⑦ Center wheel and pinion

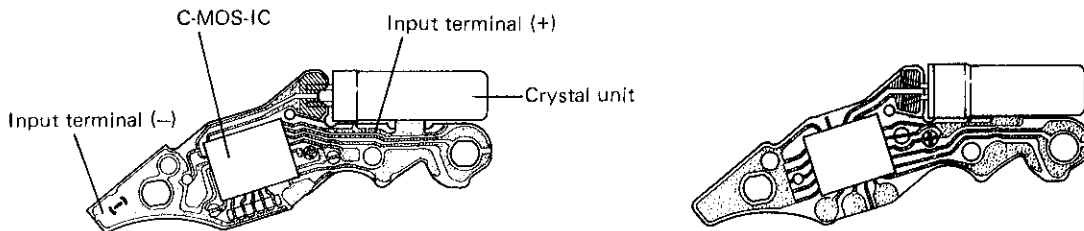
Combination:

Type	Center wheel and pinion	Fourth wheel and pinion	Hour wheel	Main plate (Center part)
a	 221 672	 241 676	 271 672	
b	 221 670	 241 670	 271 670	

- The explanation here is only for the particular points of Cal. 5H22A and 5H23A.
- For the repairing, checking and measuring procedures, refer to the "TECHNICAL GUIDE, GENERAL INSTRUCTION".

I. STRUCTURE OF THE CIRCUIT BLOCK

There are two types of circuit block, and they can be used interchangeably.

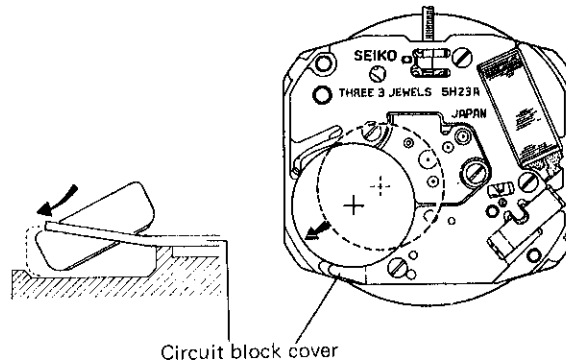


II. REMARKS ON REASSEMBLING

⑮ Battery

- **Installing**

Install the battery from the direction of the train wheel bridge.



III. VALUE CHECKING

- Coil block resistance
2.7K Ω ~ 3.2K Ω
- Current consumption
For the whole of the movement : less than 0.9 μ A
For the circuit block alone : less than 0.4 μ A