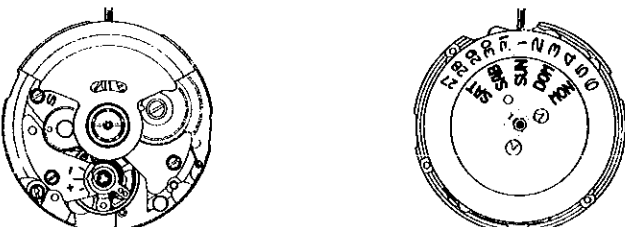


PARTS CATALOGUE / TECHNICAL GUIDE

Cal. 7009A

[SPECIFICATIONS]

Cal. No.		7009A
Item		
Movement	 <p style="text-align: center;">(x 1.0)</p>	
Movement size	Outside diameter	ø27.4 mm
	Casing diameter	ø27.0 mm
	Height	4.9 mm
Time indication	Three hands (Hour, minute and second hands)	
Vibrations per hour	21,600	
Additional mechanism	<ul style="list-style-type: none"> • Automatic winding • Calendar (day and date) • Instant calendar setting device 	
Jewels	17 jewels	

PARTS CATALOGUE

Cal. 7009A

Disassembling procedures Figs. :

① ~ ⑤⑥

Reassembling procedures Figs. :

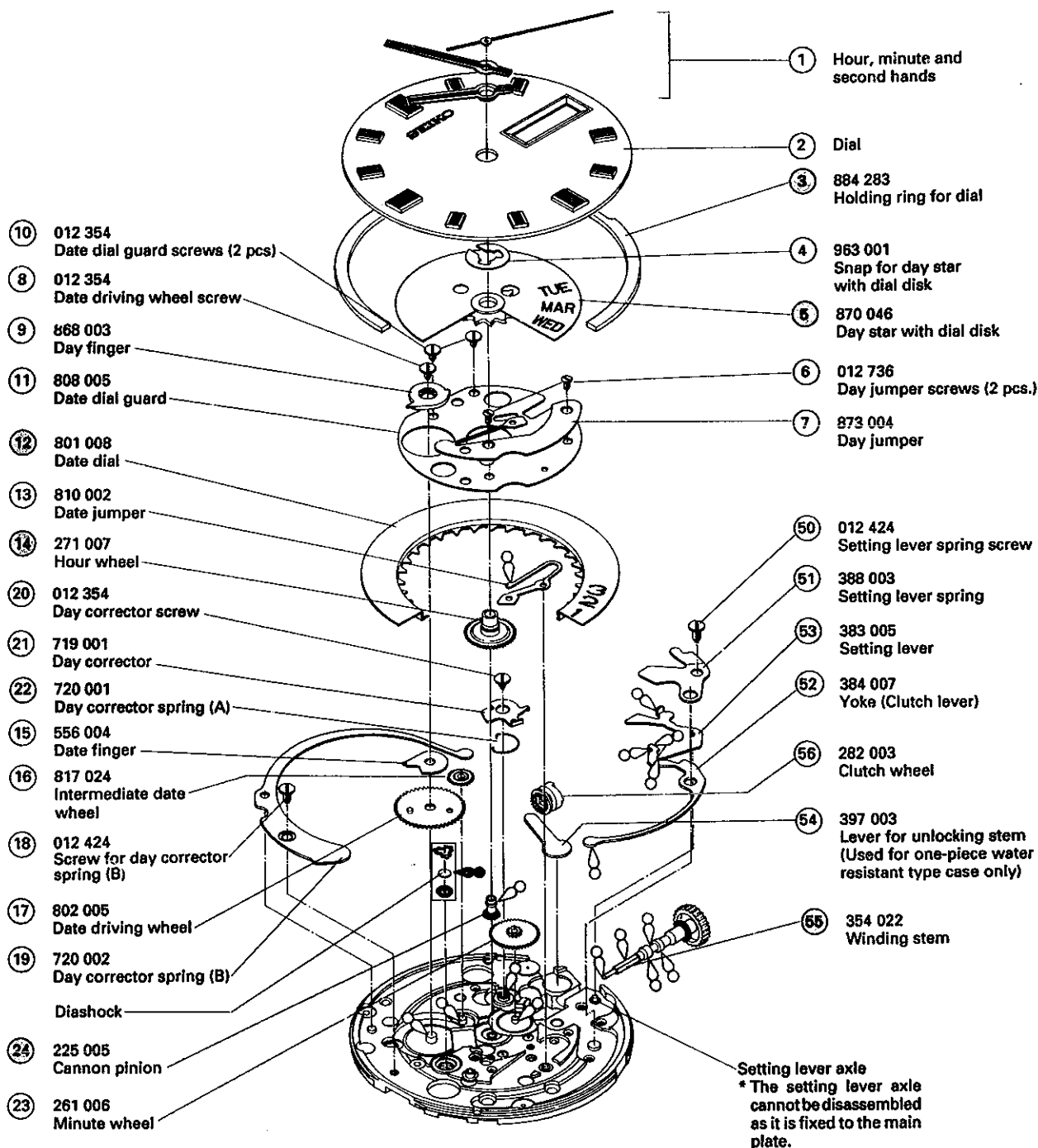
⑤⑥ ~ ①

Lubricating: Types of oil

- Moebius A
- SEIKO Watch Oil S-4
- SEIKO Watch Oil S-6

Oil quantity

- ∞ Liberal quantity
- Normal quantity
- △ Extremely small



- ⑩ 012 354 Date dial guard screws (2 pcs)
- ⑧ 012 354 Date driving wheel screw
- ⑨ 868 003 Day finger
- ⑪ 808 005 Date dial guard
- ⑫ 801 008 Date dial
- ⑬ 810 002 Date jumper
- ⑭ 271 007 Hour wheel
- ⑳ 012 354 Day corrector screw
- ㉑ 719 001 Day corrector
- ㉒ 720 001 Day corrector spring (A)
- ⑮ 556 004 Date finger
- ⑯ 817 024 Intermediate date wheel
- ⑰ 012 424 Screw for day corrector spring (B)
- ⑰ 802 005 Date driving wheel
- ⑱ 720 002 Day corrector spring (B)
- Diashock
- ㉔ 225 005 Cannon pinion
- ㉓ 261 006 Minute wheel

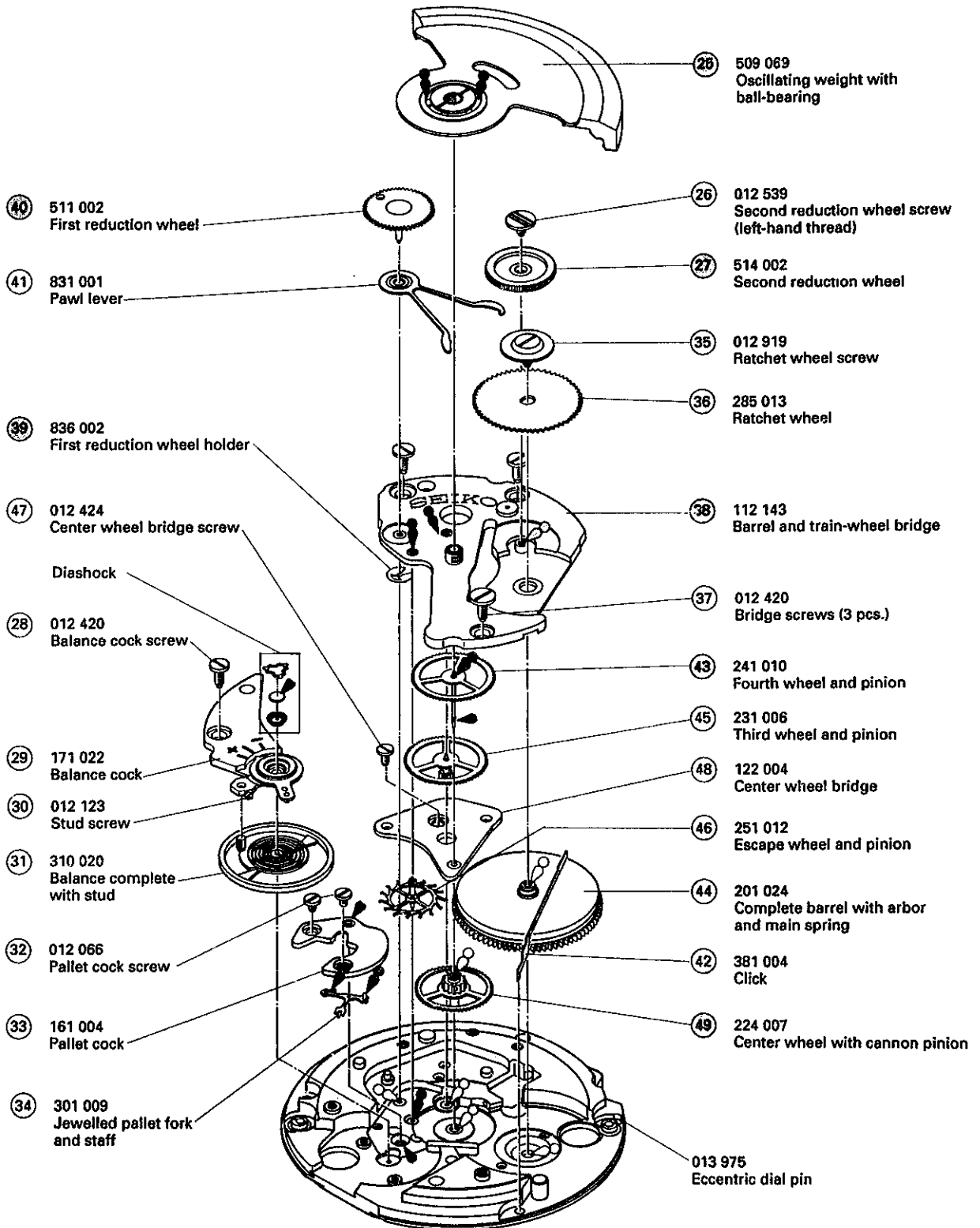
- ① Hour, minute and second hands
- ② Dial
- ③ 884 283 Holding ring for dial
- ④ 963 001 Snap for day star with dial disk
- ⑤ 870 046 Day star with dial disk
- ⑥ 012 736 Day jumper screws (2 pcs.)
- ⑦ 873 004 Day jumper
- ⑤① 012 424 Setting lever spring screw
- ⑤① 388 003 Setting lever spring
- ⑤③ 383 005 Setting lever
- ⑤② 384 007 Yoke (Clutch lever)
- ⑤⑥ 282 003 Clutch wheel
- ⑤④ 397 003 Lever for unlocking stem (Used for one-piece water resistant type case only)
- ⑤⑤ 354 022 Winding stem

Setting lever axle
* The setting lever axle cannot be disassembled as it is fixed to the main plate.

➡ Please see the remarks on the following pages.

PARTS CATALOGUE

Cal. 7009A

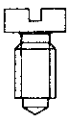
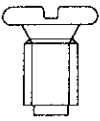
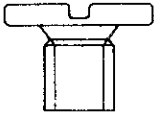
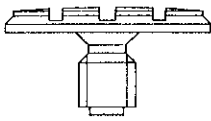
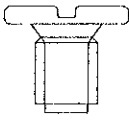
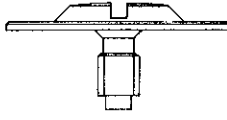
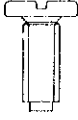
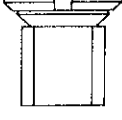


 Please see the remarks on the following pages.

PARTS CATALOGUE

Cal. 7009A

• List of screws

Part No.	Name	Part No.	Name
 012 123	Stud screw	 012 424	<ul style="list-style-type: none"> Center wheel bridge screw Setting lever spring screw Screw for day corrector spring (B)
 012 354	<ul style="list-style-type: none"> Date driving wheel screw Date dial guard screw Day corrector screw 	 012 539	Second reduction wheel screw
 012 066	Pallet cock screw	 012 919	Ratchet wheel screw
 012 420	<ul style="list-style-type: none"> Bridge screw Balance cock screw 	 012 736	Day jumper screw

• List of jewels

Part No.	Name	Part No.	Name
011 146	Lower hole jewel for center wheel	011 528	Upper hole jewel for escape wheel Lower hole jewel for escape wheel
011 151	Lower hole jewel for first reduction wheel	011 532	Upper hole jewel for third wheel
011 162	Upper hole jewel for first reduction wheel	011 540	Lower hole jewel for third wheel
011 220	Diashock upper cap jewel Diashock lower cap jewel	011 715	Upper hole jewel for center wheel
011 505	Upper hole jewel for pallet Lower hole jewel for pallet	014 295	Diashock upper hole jewel with frame Diashock lower hole jewel with frame

• List of tubes

Part No.	Name	Part No.	Name
013 009	Tube for bridge screw	013 198	Tube for pallet cock screw (short)
013 186	Tube for pallet cock screw (long)	013 199	Tube for date driving wheel screw
013 197	Tube for second reduction wheel screw	013 011	Tube for day corrector screw
		013 975	Eccentric dial pin

• Other parts

Part No.	Name	Part No.	Name
315 008	Balance staff	014 217	Diashock upper spring Diashock lower spring
331 005	Roller with jewel	014 293	Diashock upper frame
341 007	Regulator	014 294	Diashock lower frame
345 007	Stud holder		

PARTS CATALOGUE

Cal. 7009A

Remarks:

③ Holding ring for dial 884 283

⑤⑤ Winding stem 354 022

The types of holding ring for dial and winding stem are determined based on the design of cases. Check the case number and refer to "SEIKO Casing Parts Catalogue" to choose their corresponding types.

⑤ Day star with dial disk

When ordering the day star with dial disk, please specify the number inscribed on the disk.

⑫ Date dial 801 008

Part code	Position of crown and calendar	Color of figure	Color of background
801 008	Crown : 4 o'clock Calendar : 3 o'clock	Black	White

The type of date dial differs, depending on the design of cases.

If any other type of date dial is required, please specify (1) Cal. No., (2) the crown position, (3) the calendar frame position, (4) Dial No., and (5) the color.

⑭ Hour wheel

⑳ Cannon pinion

④③ Fourth wheel and pinion

④⑨ Center wheel with cannon pinion

The type of hour wheel, fourth wheel and pinion, cannon pinion, and center wheel with cannon pinion are determined based on the design of cases. Check the case number and refer to "SEIKO Casing Parts Catalogue" to choose their corresponding types.

TECHNICAL GUIDE

Cal. 7009A

• The explanation here is only for the particular points of Cal. 7009A.

⑫⑤ Oscillating weight with ball-bearing

The ball-bearing has an inside screw.
Tighten it securely using a slotted screwdriver with a large tip.

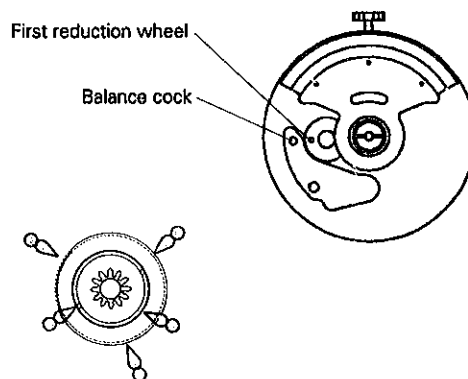
When installing the oscillating weight, first set the first reduction wheel so that its hole aligns with upper one of the two holes for the balance cock (see the illustration on the right), set the middle point of the oscillating weight's arc toward the winding stem, and then tighten the inside screw of the ball-bearing.

⑫⑦ Second reduction wheel

Lubricate the portions marked with the lubricating marks.

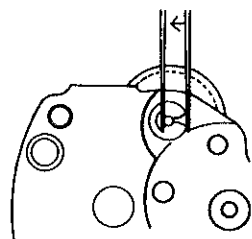
⑫⑧ Barrel and train-wheel bridge

Before setting the barrel and train wheel bridge to the main plate, set the first reduction wheel, the pawl lever and the first reduction wheel holder to the bridge.

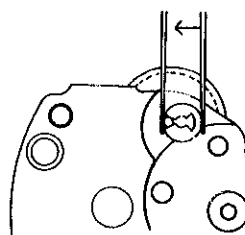


39 First reduction wheel holder

- Disassembling method

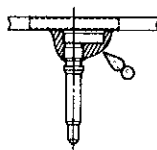


- Assembling method



40 First reduction wheel

Lubricate the shaded portions.



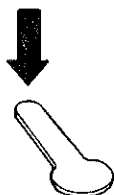
55 Winding stem

- How to remove

Disassembling method of the winding stem differs, depending on the type of cases.

- One-piece water resistant type case

Push the lever for unlocking stem in the direction of the arrow to remove the winding stem.



- Screw or snap type case

A part of the setting lever is seen with the crown at the second click position as shown in the illustration below. Push it down to remove the winding stem.

